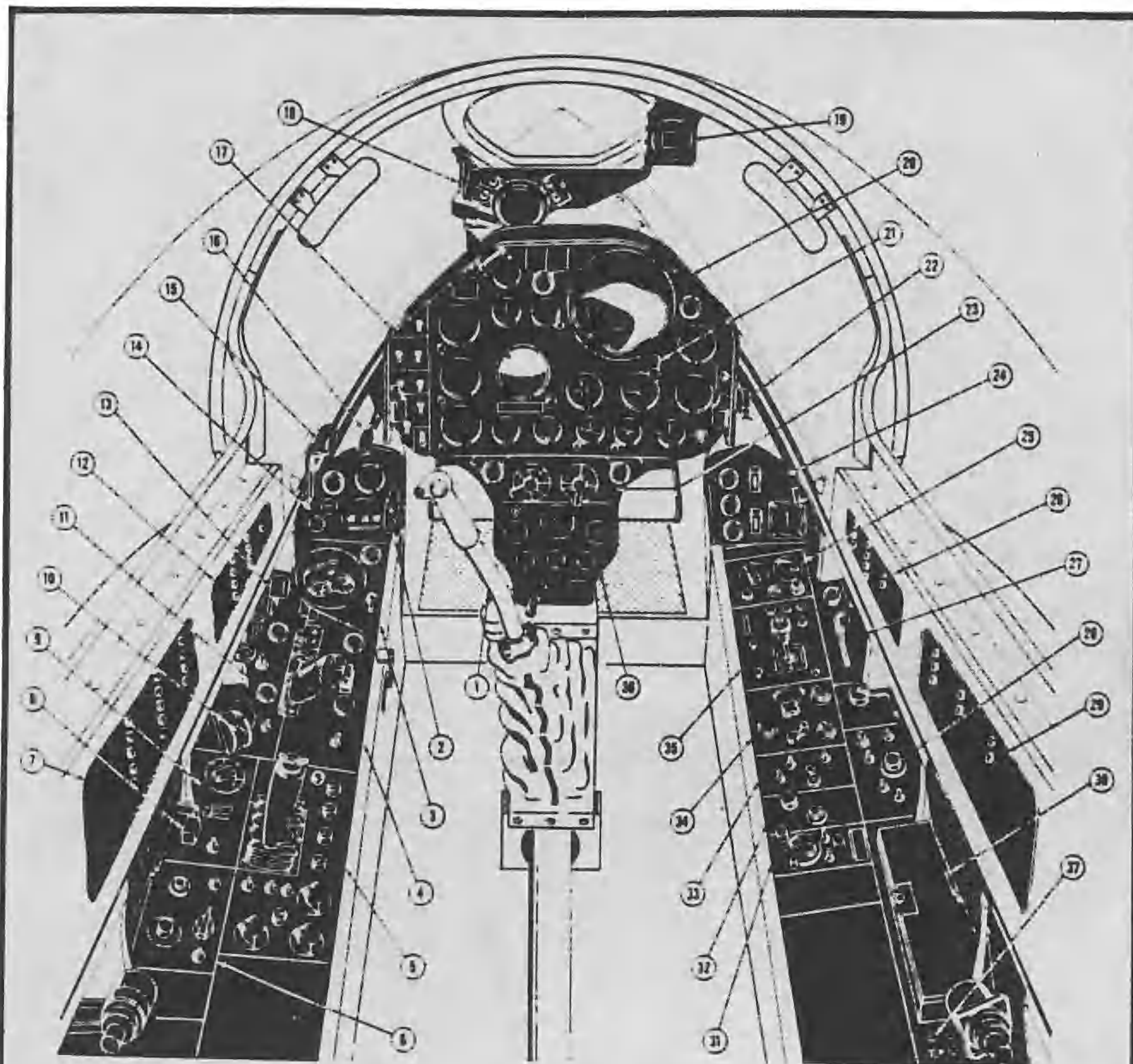
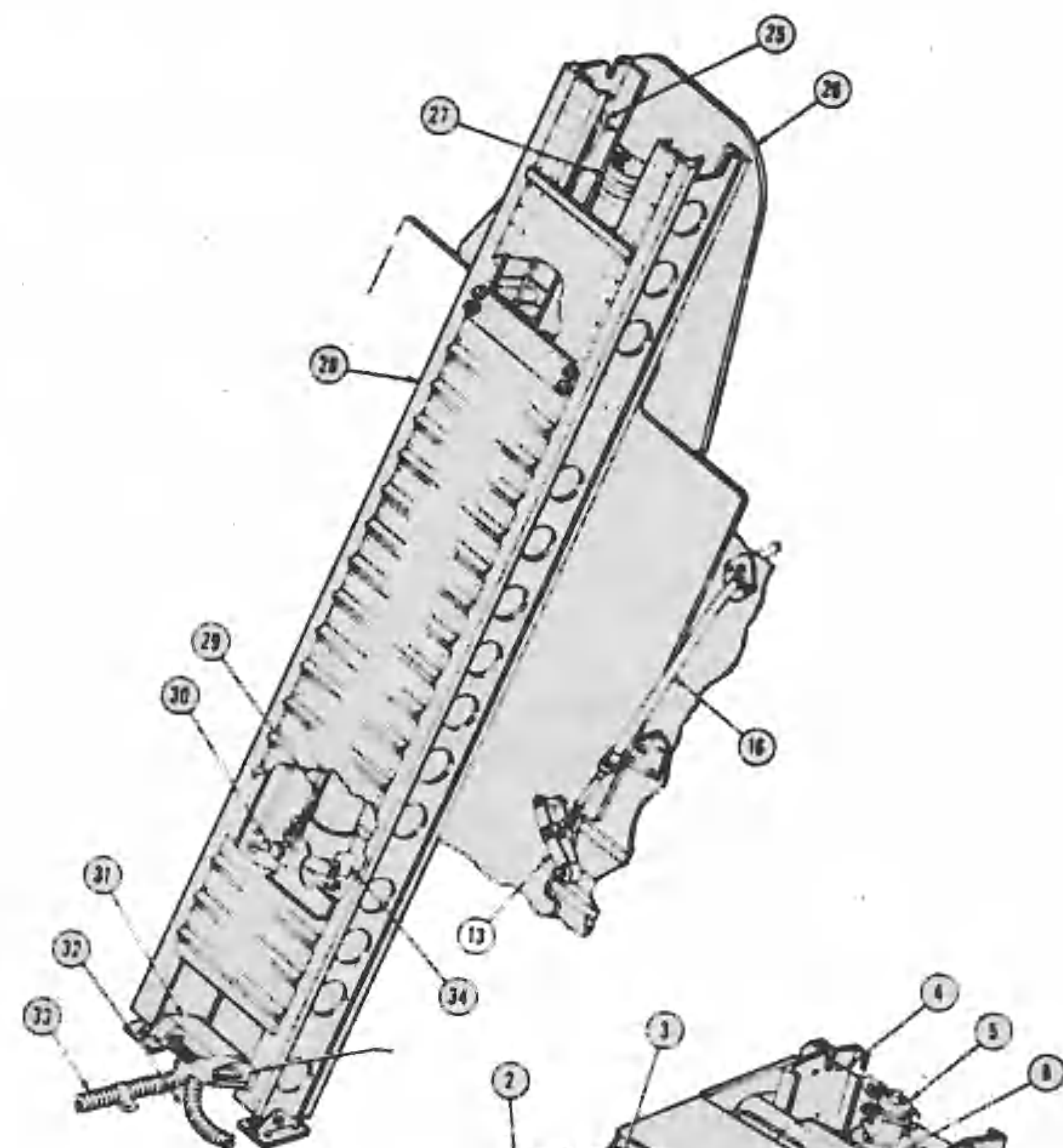


F-3H Demon Details

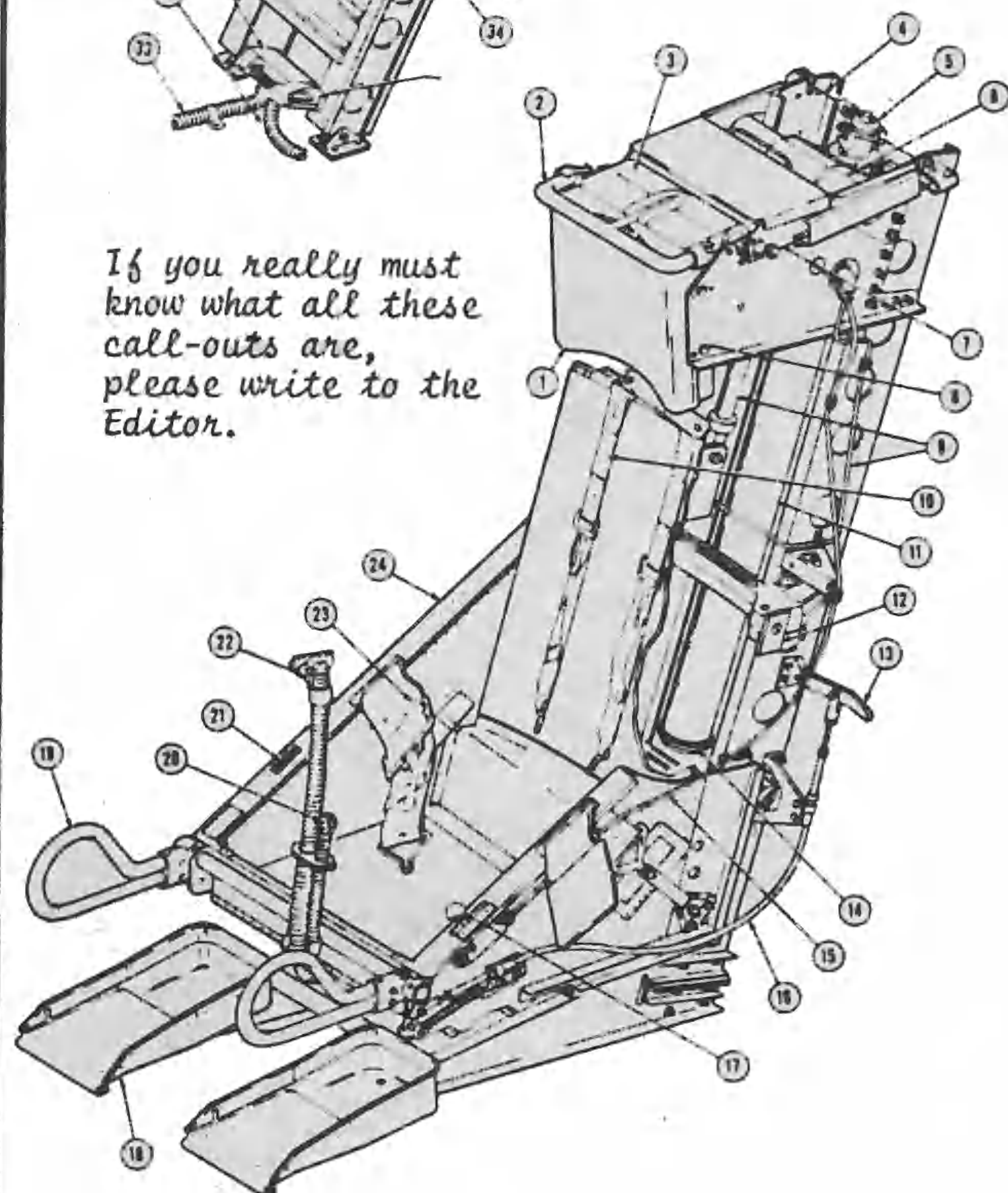


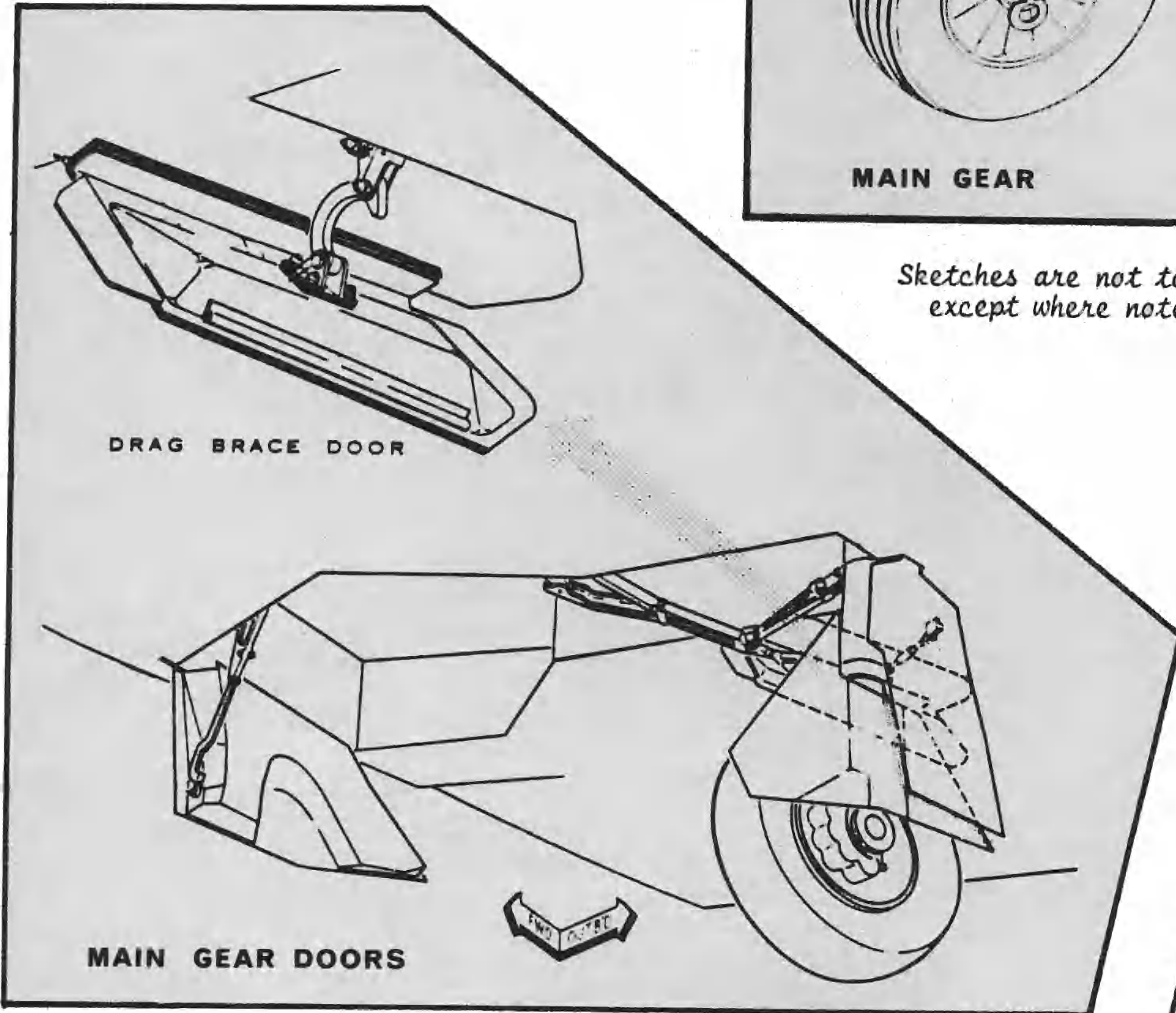
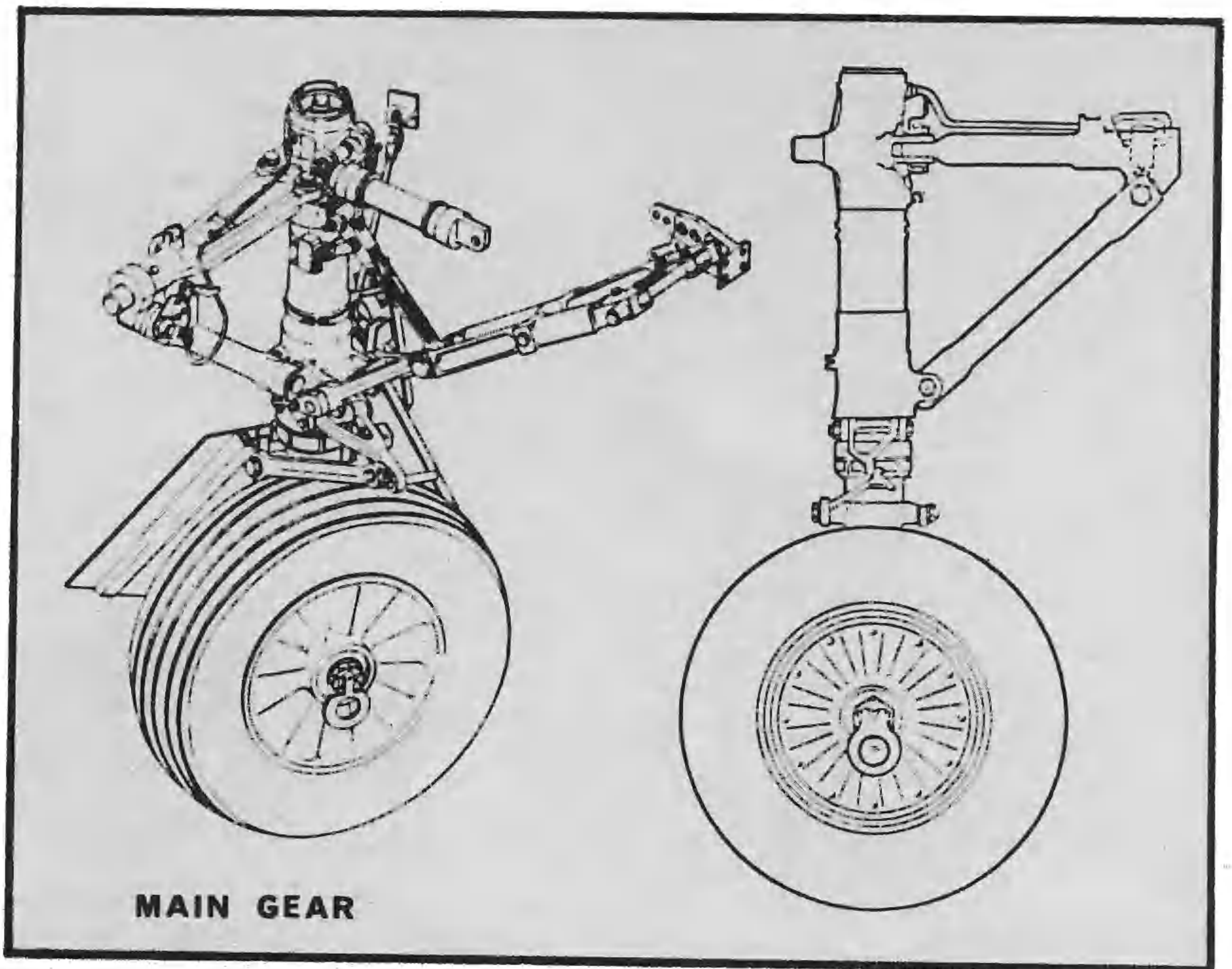
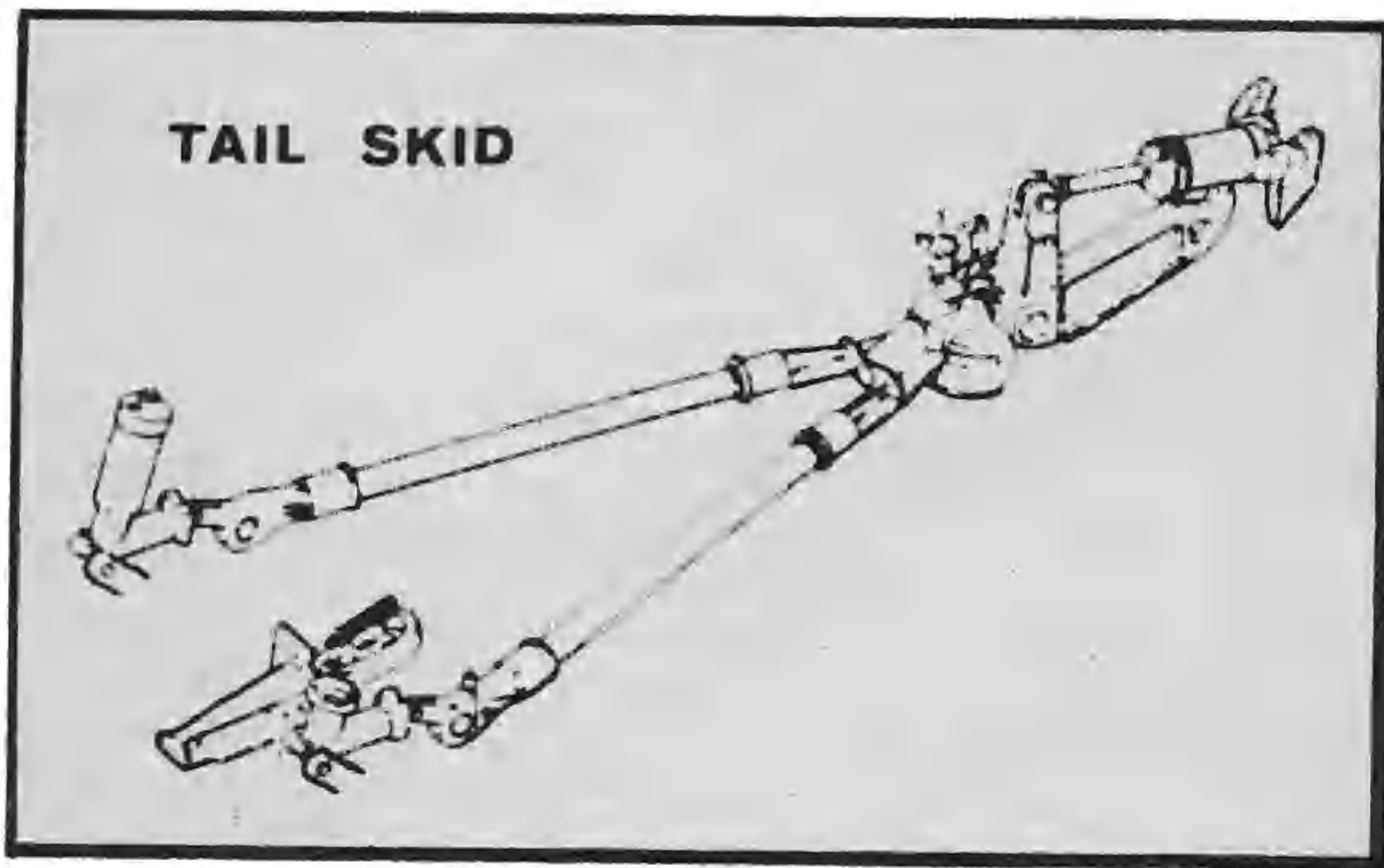
- | | |
|--|---|
| 1. MANUAL CONTROL STICK | 19. STANDBY COMPASS |
| 2. EMERGENCY STORES RELEASE HANDLE | 20. FOLDABLE GLARE SHIELD |
| 3. OXYGEN REGULATOR PANEL | 21. MAIN INSTRUMENT PANEL |
| 4. INBOARD ENGINE CONTROL PANEL | 22. ARRESTING GEAR CONTROL HANDLE |
| 5. RADAR CONTROL PANEL | 23. WEAPONS SELECTOR PANEL |
| 6. SIGHT UNIT CONTROL PANEL | 24. RIGHT SUB-INSTRUMENT PANEL |
| 7. LEFT AFT COCKPIT CIRCUIT BREAKER PANEL | 25. UHF RADIO CONTROL PANEL |
| 8. EMERGENCY SLATS EXTENSION HANDLE | 26. RIGHT FORWARD COCKPIT CIRCUIT BREAKER PANEL |
| 9. FUEL CONTROL PANEL | 27. MANUAL HEAT AND VENT CONTROL PANEL |
| 10. FLAP AND SLAT CONTROL SWITCH | 28. UTILITY PANEL |
| 11. OUTBOARD ENGINE CONTROL PANEL | 29. RIGHT AFT COCKPIT CIRCUIT BREAKER PANEL |
| 12. LEFT FORWARD COCKPIT CIRCUIT BREAKER PANEL | 30. DATA CASE |
| 13. EMERGENCY HYDRAULIC PUMP HANDLE | 31. IFF CONTROL PANEL |
| 14. LEFT SUB-INSTRUMENT PANEL | 32. INTERIOR LIGHTS CONTROL PANEL |
| 15. EMERGENCY CANOPY JETTISON HANDLE | 33. EXTERIOR LIGHTS CONTROL PANEL |
| 16. LANDING GEAR CONTROL HANDLE | 34. RADIO COMPASS CONTROL PANEL |
| 17. ARMAMENT CONTROL PANEL | 35. AUTOPILOT CONTROLLER |
| 18. SIGHT UNIT | 36. PEDESTAL PANEL |
| | 37. SPARE LIGHTS & LAMP HOLDER |

INSTRUMENT PANEL & CONSOLES



If you really must know what all these call-outs are, please write to the Editor.





*Sketches are not to scale
except where noted*

